

Totalizers mechanic

Stroke, piece and revolution counters

Display 4- or 5-digits, reset button

H 127, T 127, U 127



H 127 - Stroke counter



T 127 - Piece counter with lever



U 127 - Revolution counter

Features

- Stroke, piece and revolution counters
- Adding
- Display 5-digits (H 127, U 127)
- Display 4-digits (T 127)
- Manual reset by knurled knob

Technical data - mechanical design

Display	White numbers on black
Digit height	4.5 mm
Zero setting	Reset by knurled knob
Ambient temperature	0...+60 °C
Housing type	Surface mount housing with mounting plate
Housing colour	Grey
Dimensions W x H x L	40 x 29 x 27.5 mm
Dimensions mounting plate	40 x 46 mm
Mounting	Base plate, 2 long mounting holes
Weight approx.	90 g
Materials	Housing: Hostaform POM, grey Base plate: steel zinc-coated

Totalizers mechanic

Stroke, piece and revolution counters

Display 4- or 5-digits, reset button

H 127, T 127, U 127

Technical data - mechanical design

H 127

Function	Stroke counter
Number of digits	5-digits
Count mode	Adding in a stroke direction to be indicated. 1 stroke = 1 count
Drive shaft	Right or left, $\varnothing 4$ mm
Stroke	$>38^\circ$ to $<60^\circ$
Stroke lever	To be positioned on shaft at will. Stroke lever relocates automatically to start position.
Stroke frequency	≤ 500 strokes/min
Measuring range	99 999

T 127

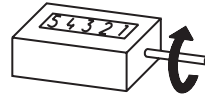
Function	Piece counter with lever
Number of digits	4-digits
Count mode	1 button touch = 1 count
Drive shaft	Only available with lever provided at right
Stroke	$>38^\circ$ to $<60^\circ$
Measuring range	9999

U 127

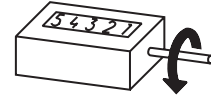
Function	Revolution counter
Number of digits	5-digits
Count mode	Adding in a rotational direction to be indicated, subtracting in reverse direction. 1 rev. = 1 count
Drive shaft	Right or left, $\varnothing 4$ mm
Operating speed	≤ 2000 rpm
Measuring range	99 999

Direction of strokes and rotation

Drive on the right

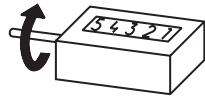


Reset button left
Away from user
Sense of rotation or stroke direction I

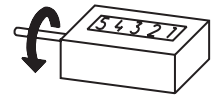


Reset button left
Toward user
Sense of rotation or stroke direction II

Drive on the left



Reset button right
Way from user
Sense of rotation or stroke direction I



Reset button right
Toward user
Sense of rotation or stroke direction II

Reset button always opposite of drive.

Totalizers mechanic

Stroke, piece and revolution counters

Display 4- or 5-digits, reset button

H 127, T 127, U 127

Part number

Stroke counter

H 127.0

- Display / direction of stroke
 - G 5 digits 99 999 / I
 - H 5 digits 99 999 / II
- Count mode / drive
 - 01 1 stroke = 1 digit / drive shaft at right
 - 02 1 stroke = 1 digit / drive shaft at left
- Housing
 - A Surface mount housing, grey
- Zero setting
 - 1 Reset button at left
 - 2 Reset button at right

Piece counter

T 127.

- Design
 - 001 Display 4-digits 9999, stroke direction II, Reset button left, 1 stroke = 1 digit
 - Housing grey, surface mount

Revolution counter

U 127.0

- Display / direction of rotation
 - G 5 digits 99 999 / I
 - H 5 digits 99 999 / II
- Count mode / drive
 - 01 1 revolution = 1 digit / drive shaft at right
 - 02 1 revolution = 1 digit / drive shaft at left
- Housing
 - A Surface mount housing, grey
- Zero setting
 - 1 Reset button at left
 - 2 Reset button at right

Totalizers mechanic

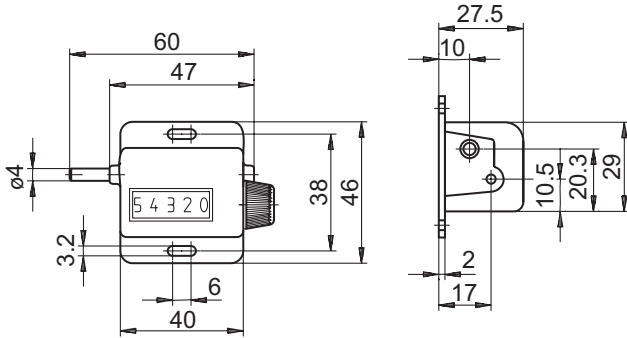
Stroke, piece and revolution counters

Display 4- or 5-digits, reset button

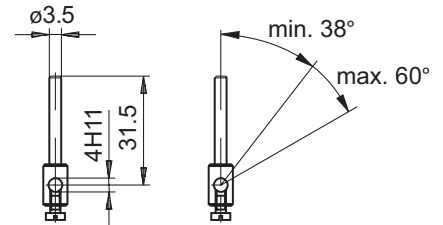
H 127, T 127, U 127

Dimensions

H 127, U 127



Stroke lever and stroke



T 127

